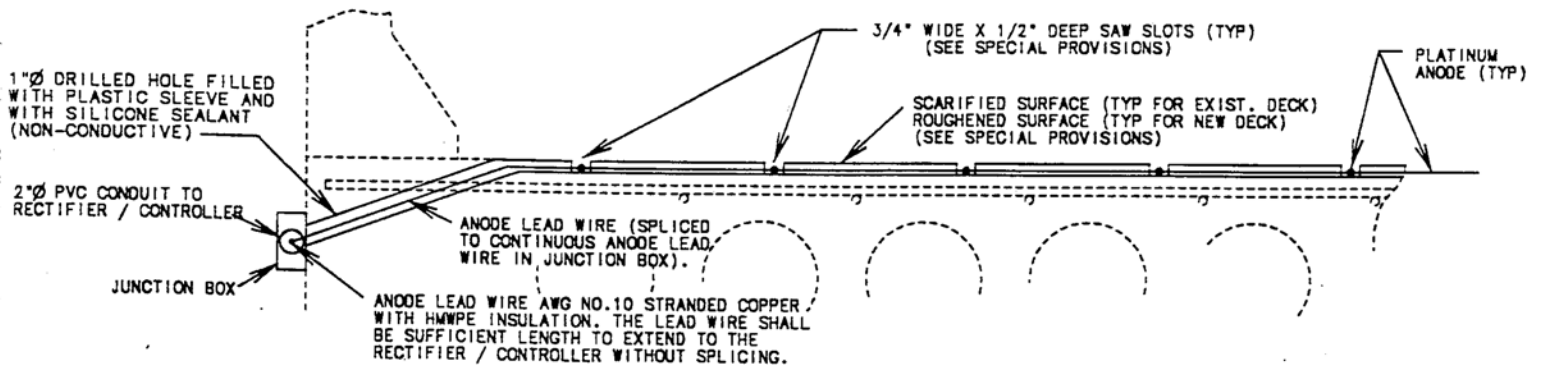
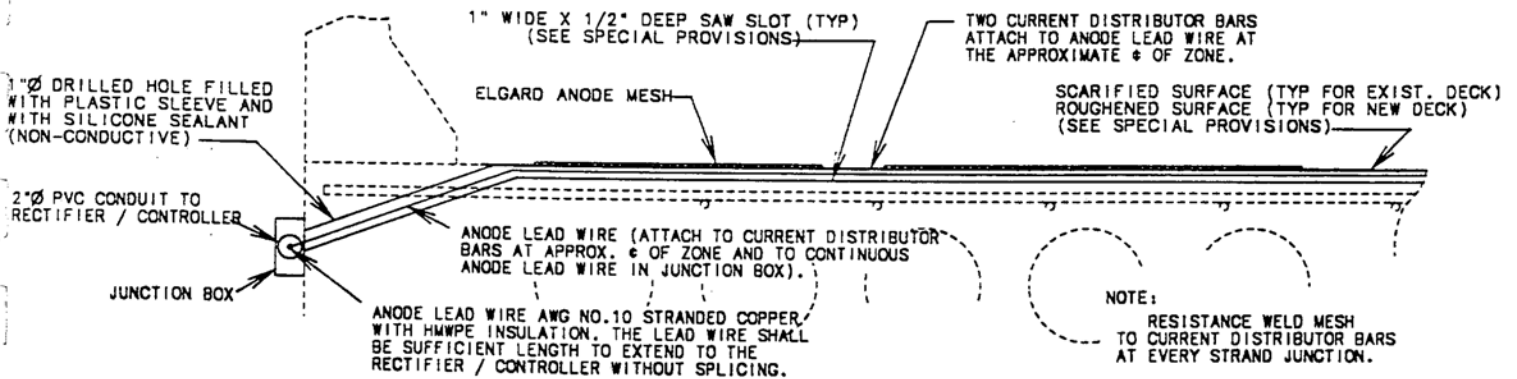


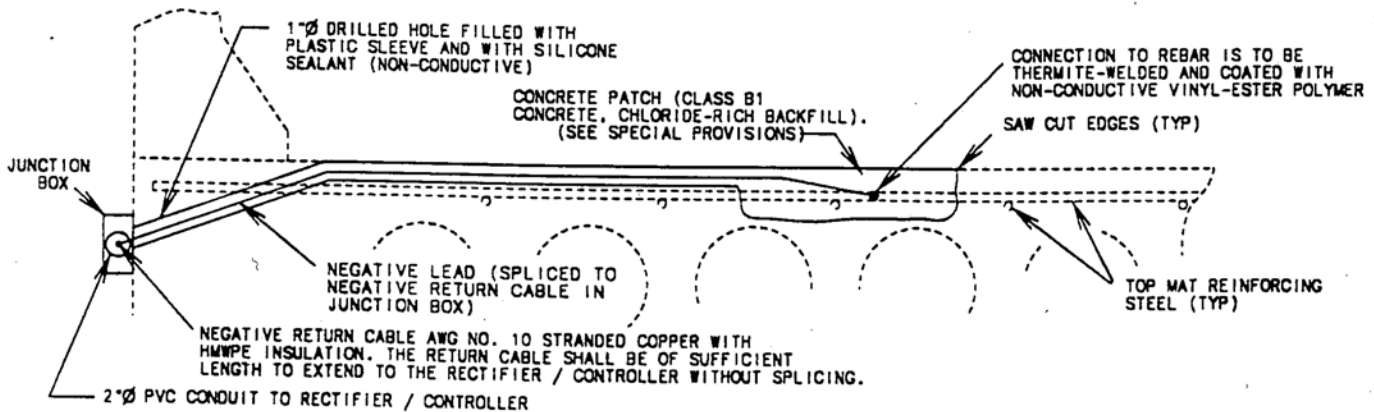
# GENERAL DETAILS



ALTERNATE "A"

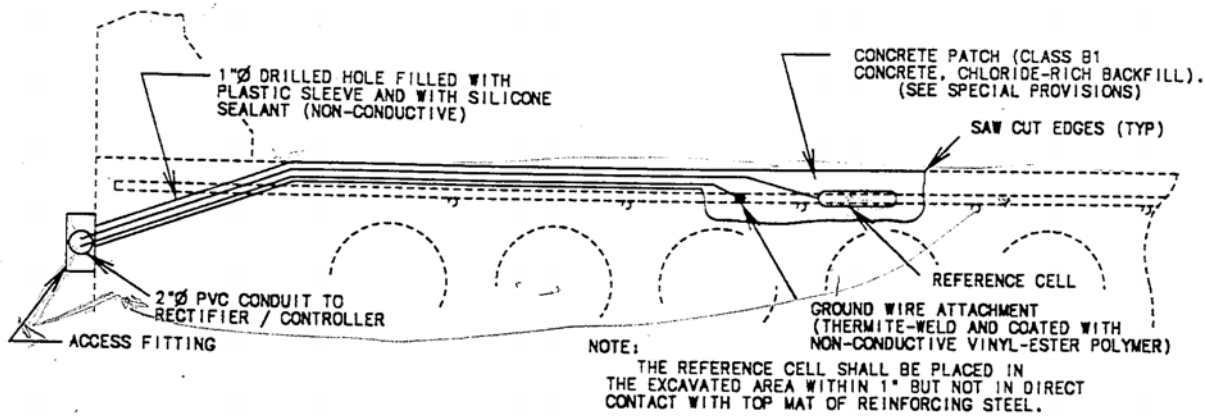


ALTERNATE "B"

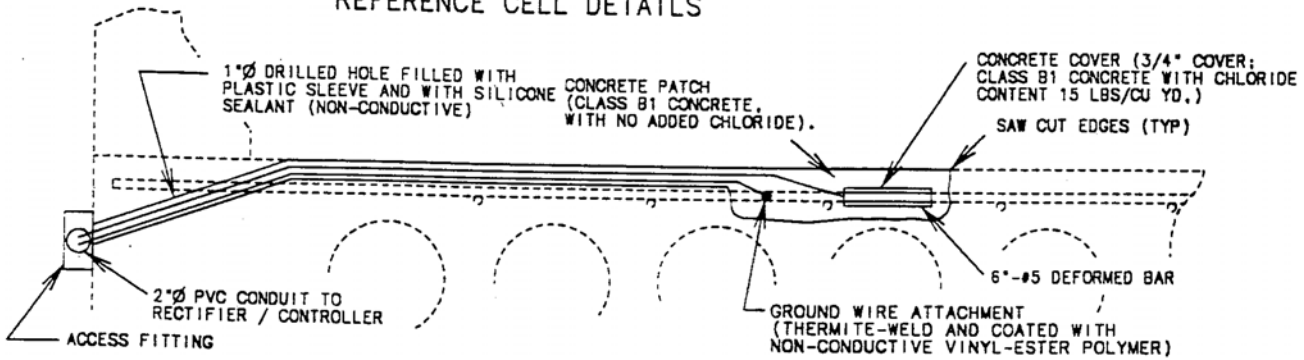


SYSTEM NEGATIVE CONNECTION DETAILS

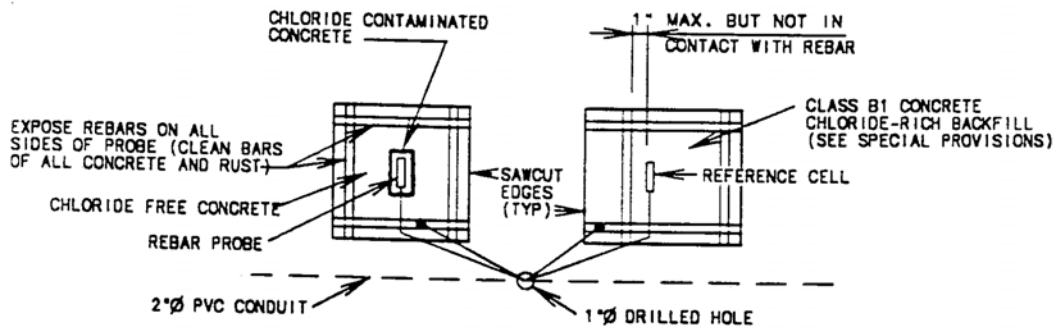
# GENERAL DETAILS



## REFERENCE CELL DETAILS



## REBAR PROBE DETAILS



## PLAN OF REBAR PROBE AND REFERENCE CELL

### NOTE:

- CONDUIT SHALL BE SCHEDULE 40 HEAVY WALL PVC (POLYVINYL CHLORIDE PLASTIC). EACH SECTION OF CONDUIT SHALL BEAR THE UNDERWRITERS LABORATORIES, INC. (UL) LABEL.
- CONDUIT SHALL BE SECURED TO CONCRETE WITH CLAMPS (GALVANIZED/AASHTO M111) AT APT. 5'-0" CTS. CONCRETE ANCHORS FOR CLAMPS SHALL MEET FEDERAL SPECIFICATION FF-S-325, GROUP II, TYPE 4, CLASS 1 AND SHALL BE GALVANIZED IN ACCORDANCE WITH ASTM A-153, 8695-91 CLASS 50 OR STAINLESS STEEL. MINIMUM EMBEDMENT IN CONCRETE SHALL BE 1 3/4". THE SUPPLIER SHALL FURNISH A MANUFACTURERS CERTIFICATION THAT THE CONCRETE ANCHORS MEET THE REQUIRED MATERIAL AND GALVANIZING SPECIFICATIONS.
- WEEPHOLES SHALL BE PROVIDED AT APPROPRIATE LOCATIONS TO DRAIN ANY MOISTURE IN THE CONDUIT LINES.
- EXPANSION COUPLINGS SHALL BE INSTALLED ON CONDUIT LINES BETWEEN ALL JUNCTION BOXES AND BETWEEN ALL ACCESS FITTINGS AS APPROVED BY THE ENGINEER.
- THE LOCATION AND DIRECTION OF CONDUIT MAY BE SHIFTED TO MEET FIELD CONDITIONS AS DIRECTED BY THE ENGINEER.
- ALL JUNCTION BOXES SHALL BE PVC MOLDED, SURFACE MOUNTED, SIZE 8" X 8" X 7" AND EQUAL TO CARLON ELECTRICAL CONSTRUCTION PRODUCTS OR TRIANGLE CONDUIT AND CABLE COMPANY INC. THE TERMINATIONS SHALL BE PERMANENT OR SEPERABLE.
- THE TERMINATIONS AND COVERS SHALL BE OF WATERTIGHT CONSTRUCTION.