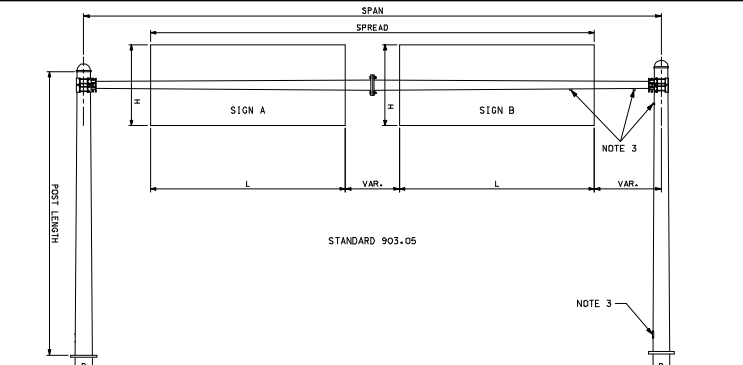


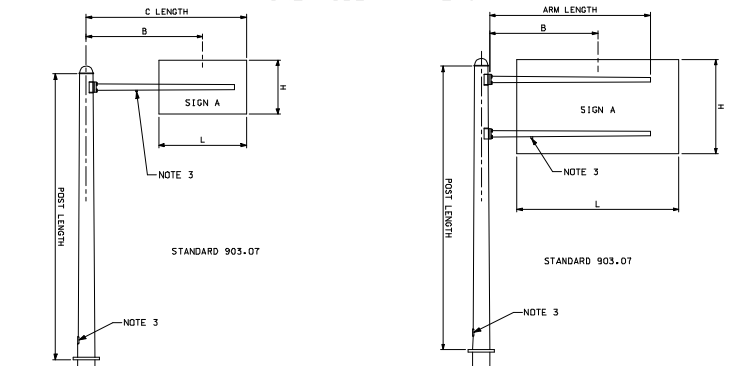
# Example D-34

EFFECTIVE 09-08-1997

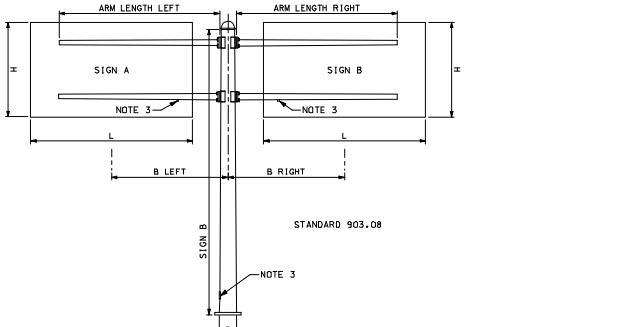
ROUTE	STATE	DISTRICT	SHEET NO.
	MO		
JOB NO.			
PROJECT NO.			
COUNTY			
			DATE



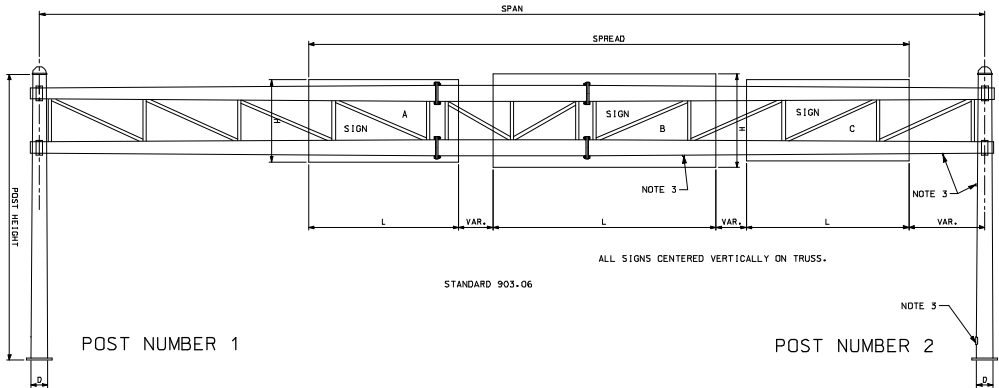
POST NUMBER 1 ONE TUBE - TYPE S POST NUMBER 2



ONE TUBE - TYPE C TWO TUBE - TYPE C



TWO TUBE - TYPE B



POST NUMBER 1 POST NUMBER 2

TWO TUBE - TYPE S

**TUBULAR STEEL SUPPORT NUMBERING SYSTEM**

THE FIRST SYMBOL (LETTER) INDICATES TYPE AS, C FOR CANTILEVER, B FOR BUTTERFLY, S FOR SPAN TYPE.

THE SECOND SYMBOL (NUMBER) INDICATES SINGLE (1) OR DOUBLE (2) MAST ARMS OR TRUSSES.

THE THIRD SYMBOL (NUMBER) INDICATES GAUGE - POST  
 7 = 7 GAUGE (.1793") 77 = 7 + 7 GAUGE (.3586")  
 3 = 3 GAUGE (.2500") 33 = 3 + 3 GAUGE (.5000")  
 0 = 0 GAUGE (.3125") 00 = 0 + 0 GAUGE (.6250")

THE FOURTH SYMBOL (NUMBER) INDICATES DIAMETER IN INCHES OF THE POST BASE.

THE FIFTH SYMBOL (NUMBER) INDICATES LENGTH IN FEET OF ARM OR SPAN.

EXAMPLE: DESIGN NUMBER B-20018-24 INDICATES BUTTERFLY TYPE, TWO ARMS, 2-PLY, D-GAUGE, 18" DIAMETER AT BASE OF POST & 24' MAST ARMS.

- NOTES**
- ALL POSTS, BEAMS, MAST ARMS, ANGLES, BRACKETS & ETC. SHALL BE HOT DIP GALVANIZED AFTER FABRICATION.
  - SHOP DRAWINGS ARE NOT REQUIRED.
  - HANDHOLES AND 1/4" BLIND HALF COUPLINGS REQUIRED ON DESIGNATED POSTS. HANDHOLES SHALL BE PLACED ON RIGHT HAND SHOULDER SIDE OF TRUSSES.
  - STRUCTURES DESIGNED FOR MAXIMUM SIGN AREA COMENSURATE WITH MAXIMUM H (HEIGHT OF SIGN) SHOWN ON STANDARDS AND REQUIRED VERTICAL CLEARANCE.
  - DESIGN SPECIFICATIONS: AASHTO STANDARD SPECIFICATIONS FOR STRUCTURAL SUPPORTS FOR HIGHWAY SIGNS, LUMINAIRES, AND TRAFFIC SIGNALS - 1985.

SIGN NUMBER	STATION	LOCATION	STANDARD NUMBER	TYPE	SPAN C OR ARM	B LENGTH	POST LENGTH		TOTAL SIGN AREA (SQ FT)	SIGN DATA												TOTAL SQ FT			
							NO. 1	NO. 2		SIGN A			SIGN B			SIGN C			SIGN D				SIGN E		
										L	H	SPACE	L	H	SPACE	L	H	SPACE	L	H	SPACE		L	H	SPACE
5	24+00	LT. OF BUTLER HILL RD.	903.05	S	58'-0"	18'-0"	18'-0"	3.2	42'-8"	8'-8"	4'-0"	9'-9"	10'-0"	4'-0"	9'-9"	6'-8"	4'-0"	10'-8"	92.0						
12	3+60	RAMP 'K'	903.05	S	60'-9"	19'-0"	18'-0"	3.0	28'-8"	2'-8"	3'-0"	9'-8"	2'-8"	3'-0"	9'-8"	2'-8"	3'-0"	10'-9"	22.5						
22	8+90	RAMP 'K'	903.05	S	61'-5"	18'-0"	18'-0"	3.0	28'-8"	2'-8"	3'-0"	9'-8"	2'-8"	3'-0"	9'-8"	2'-8"	3'-0"	10'-9"	22.5						
32	15+90	RT. OF BUTLER HILL RD.	903.05	S	73'-0"	18'-0"	17'-0"	3.4	50'-3"	10'-0"	4'-0"	14'-0"	10'-0"	4'-0"	9'-9"	6'-8"	4'-0"	18'-0"	106.0						

Figure 903.18.5.3