

DATE PREPARED  
09/29/2008

ROUTE STATE  
DISTRICT SHEET NO.  
MO

COUNTY

JOB NO.

CONTRACT ID.

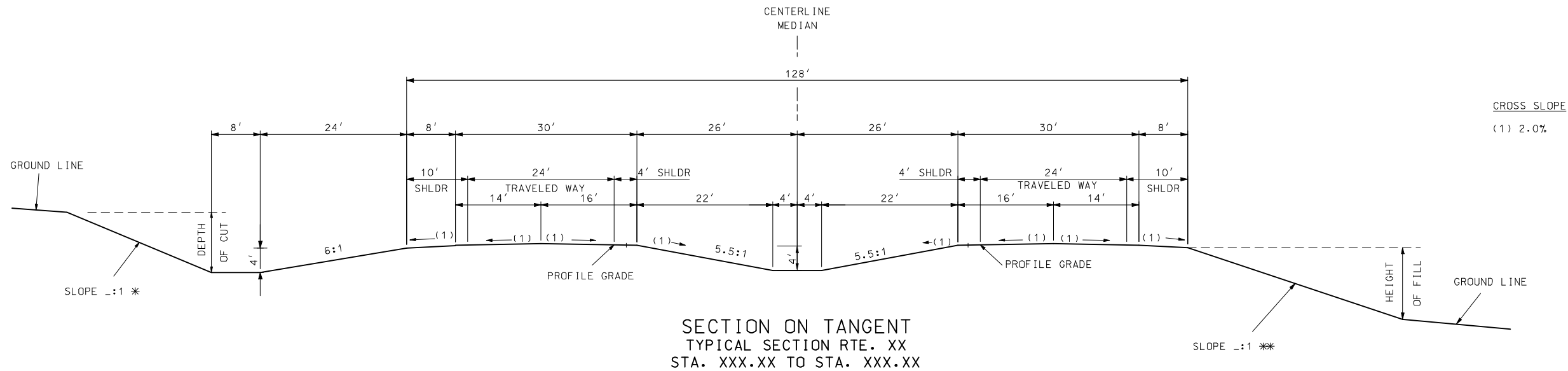
PROJECT NO.

BRIDGE NO.

DESCRIPTION

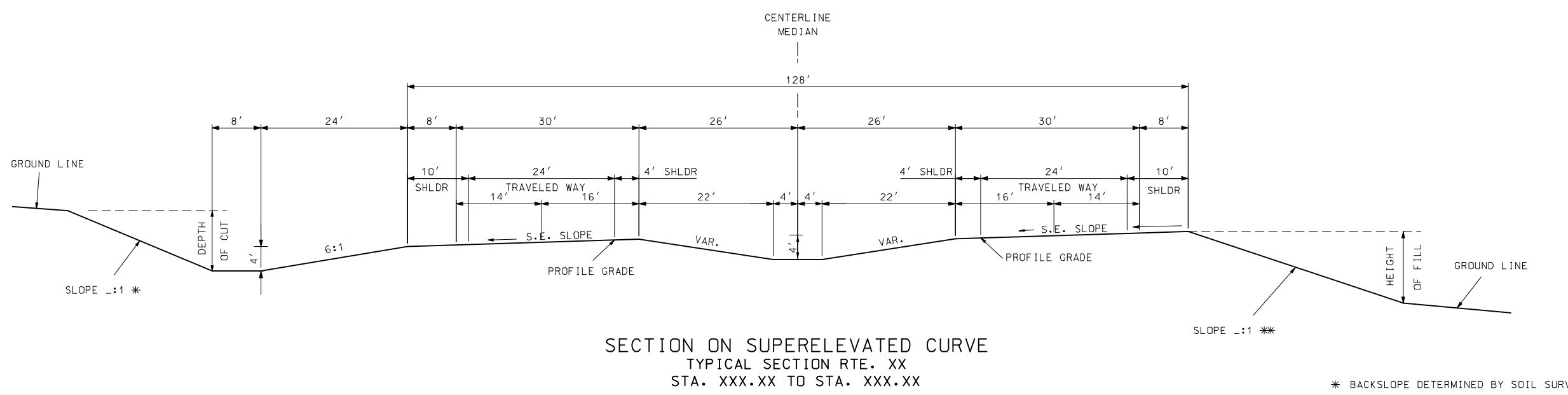
DATE

MISSOURI HIGHWAYS AND TRANSPORTATION COMMISSION  
MoDOT  
105 WEST CAPITOL  
JEFFERSON CITY, MO 65102  
1-888-ASK-MODOT (1-888-275-6636)



CROSS SLOPE  
(1) 2.0%

SEE STANDARDS 203.21, 606.00 AND 609.40 FOR SHOULDER WIDENING.



- \* BACKSLOPE DETERMINED BY SOIL SURVEY.
- \*\* THE FILL SLOPE SHALL BE 6:1 OR FLATTER WHEN THE FILL HEIGHT IS EQUAL TO OR LESS THAN 4 FEET (I.E., THE OFFSET FROM THE TOE OF FILL TO THE SHOULDER POINT IS A MINIMUM OF 24 FEET). THE SLOPE MAY VARY TO MEET THIS REQUIREMENT. FOR FILL HEIGHTS GREATER THAN 4 FEET, THE SLOPE SHALL NOT EXCEED THE MAXIMUM SLOPE DETERMINED BY THE SOIL SURVEY.

D-61F	
FUNCTION	INTERSTATE
ADT	> 1700
TRAVELED WAY WIDTH	24'
ROADBED WIDTH	128'
FORESLOPE	6:1
DITCH	4'