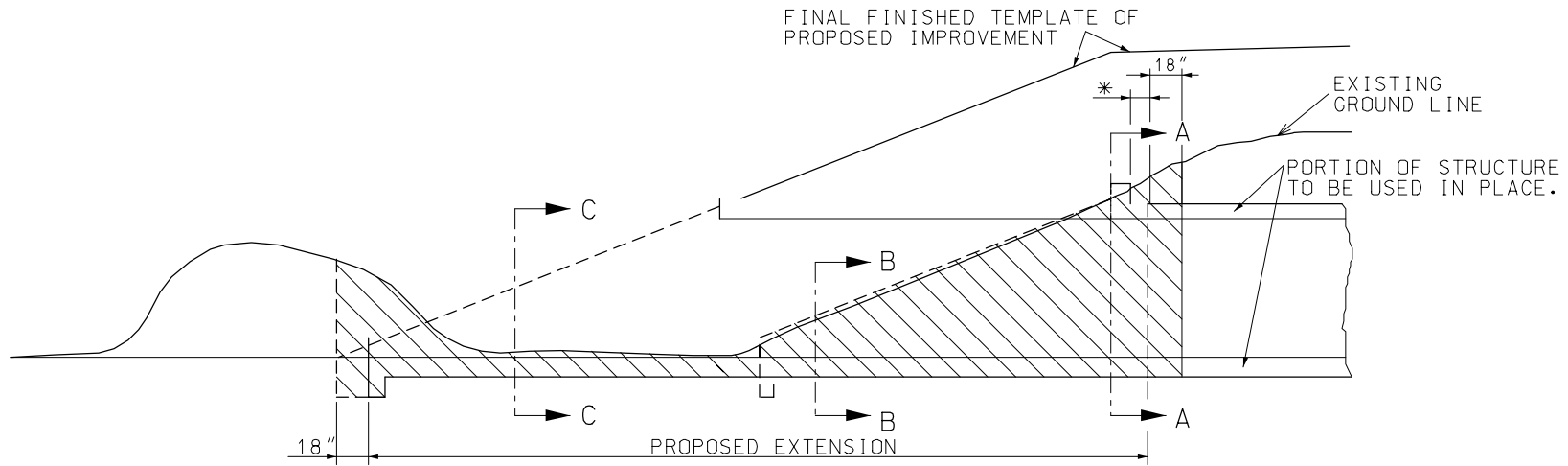
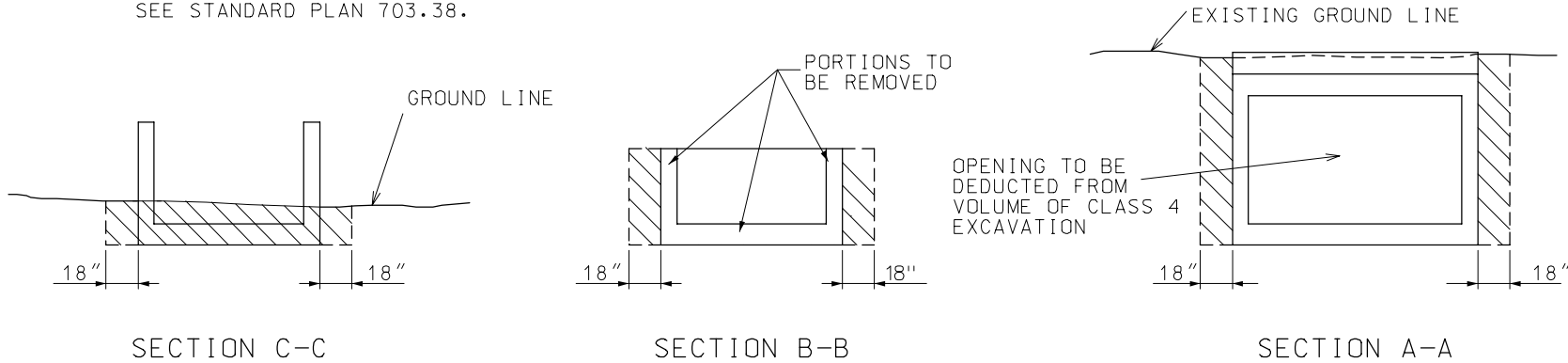


Maximum Limits for Class 4 Excavation for Extending an Existing Culvert



* DISTANCE FROM BACK OF HEADWALL TO CUTTING LINE,
SEE STANDARD PLAN 703.38.



GENERAL NOTES:

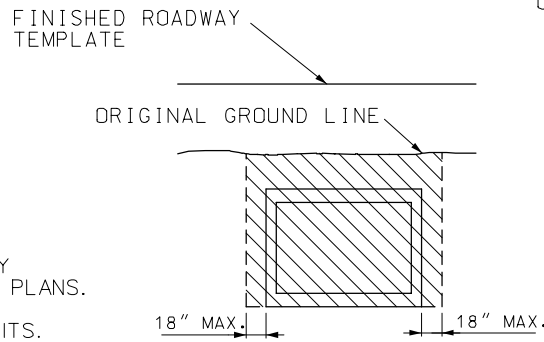
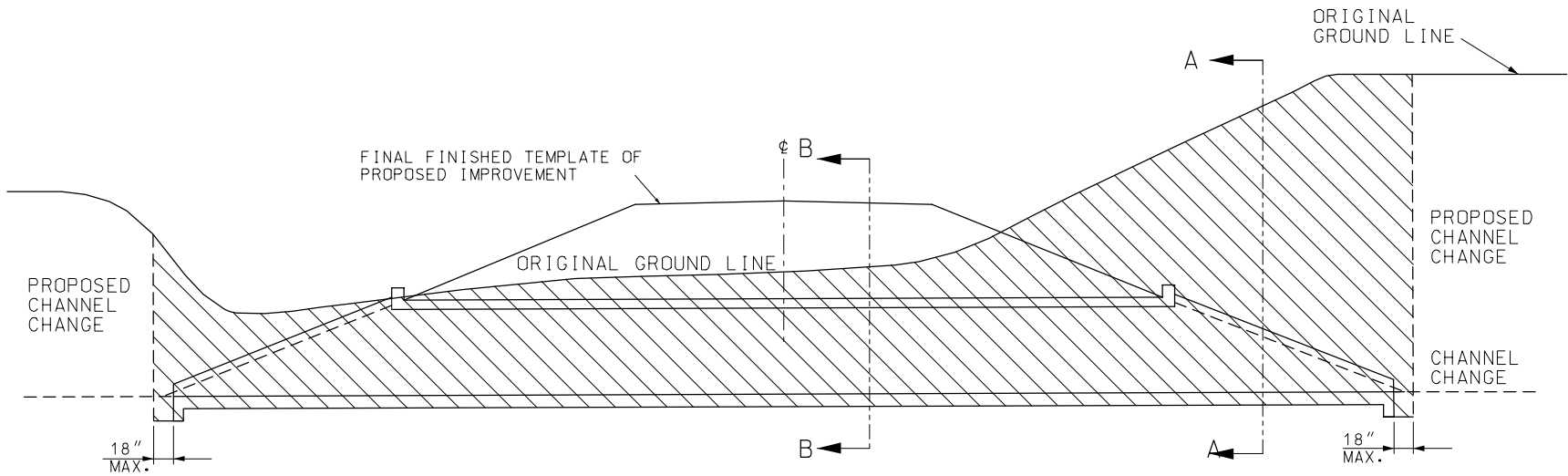
HATCHED PORTIONS INDICATE LIMITS OF CLASS 4 EXCAVATION FOR STRUCTURES.

CLASS 4 EXCAVATION DOES NOT INCLUDE REMOVAL OF EXISTING HEADWALLS, OR PORTIONS OF THE EXISTING BOX CULVERT. THESE ITEMS ARE INCLUDED AS REMOVAL OF IMPROVEMENTS FOR ROADWAY CULVERTS OR PARTIAL REMOVAL OF CULVERT CONCRETE FOR BRIDGE CULVERTS.

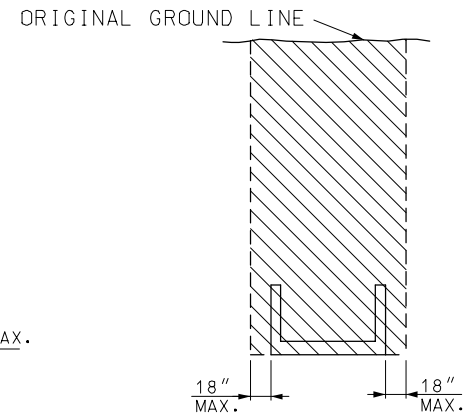
THIS DRAWING IS FOR ESTIMATING PURPOSES ONLY AND IS NOT TO BE MADE A PART OF THE DETAIL PLANS.

SEE STANDARD DRAWING 703.38 FOR CUTTING DETAILS ON BOX CULVERT EXTENSIONS.

Maximum Limits for Class 4 Excavation



SECTION B-B



SECTION A-A

STRUCTURES LOCATED IN CHANNEL CHANGES

GENERAL NOTES:

HATCHED PORTIONS INDICATE LIMITS OF CLASS 4 EXCAVATION FOR STRUCTURES.

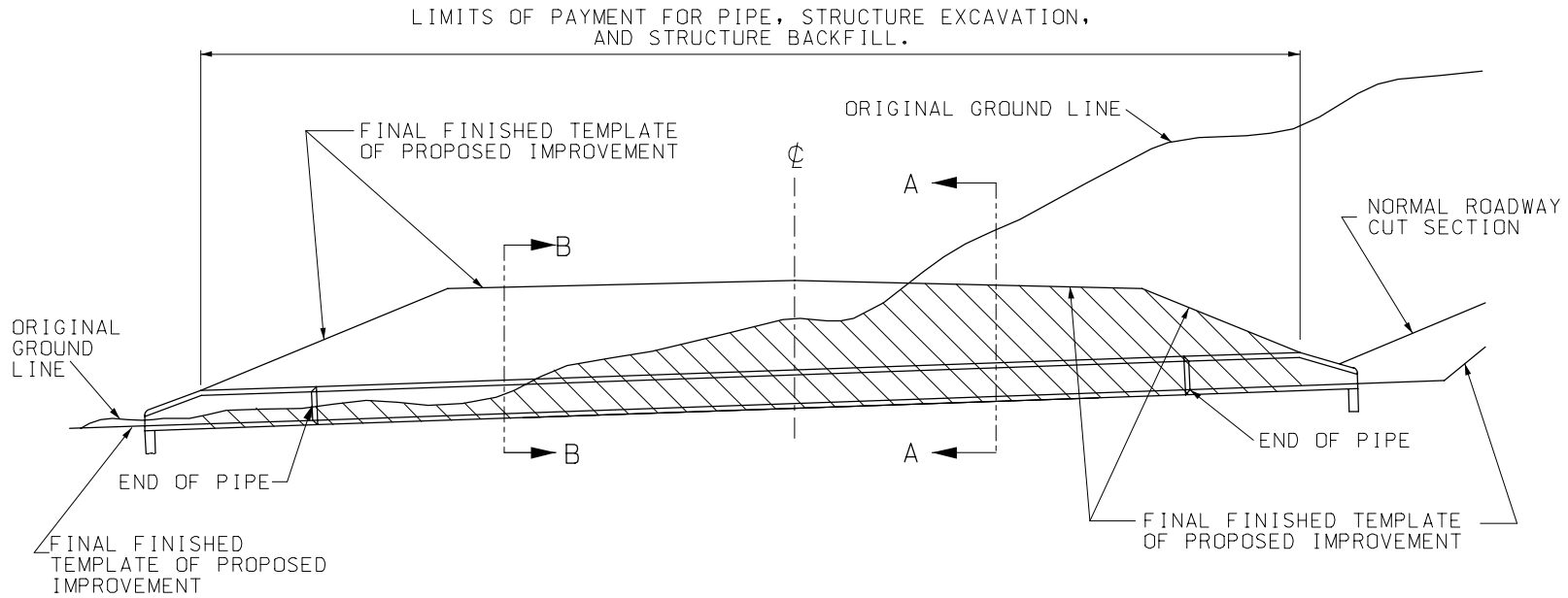
THIS DRAWING IS FOR REFERENCE PURPOSES ONLY AND IS NOT TO BE MADE A PART OF THE DETAIL PLANS.

FOR ESTIMATING PURPOSES USE THE MAXIMUM LIMITS.

FINAL PAYMENT SHOULD BE MADE FOR ONLY THE MATERIAL ACTUALLY EXCAVATED FROM WITHIN THESE MAXIMUM LIMITS.

SEE STANDARD DRAWING 703.38 FOR CUTTING DETAILS ON BOX CULVERT EXTENSIONS.

Maximum Limits for Class 3 Excavation



GENERAL NOTES:

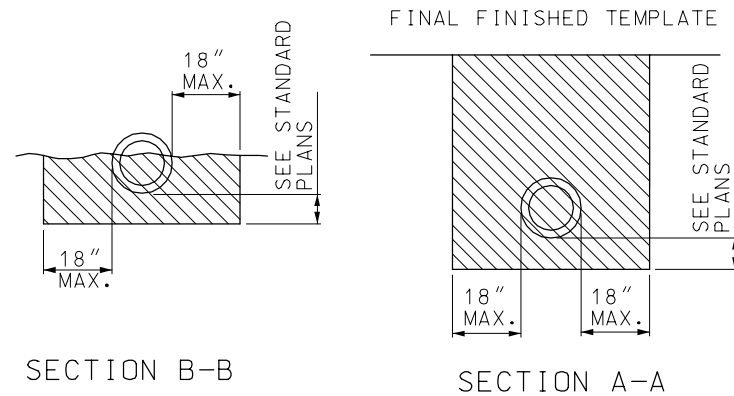
HATCHED PORTIONS INDICATE LIMITS OF CLASS 3 EXCAVATION FOR STRUCTURES.

THIS DRAWING IS FOR REFERENCE PURPOSES ONLY AND IS NOT TO BE MADE A PART OF THE DETAIL PLANS.

FOR ESTIMATING PURPOSES USE THE MAXIMUM LIMITS.

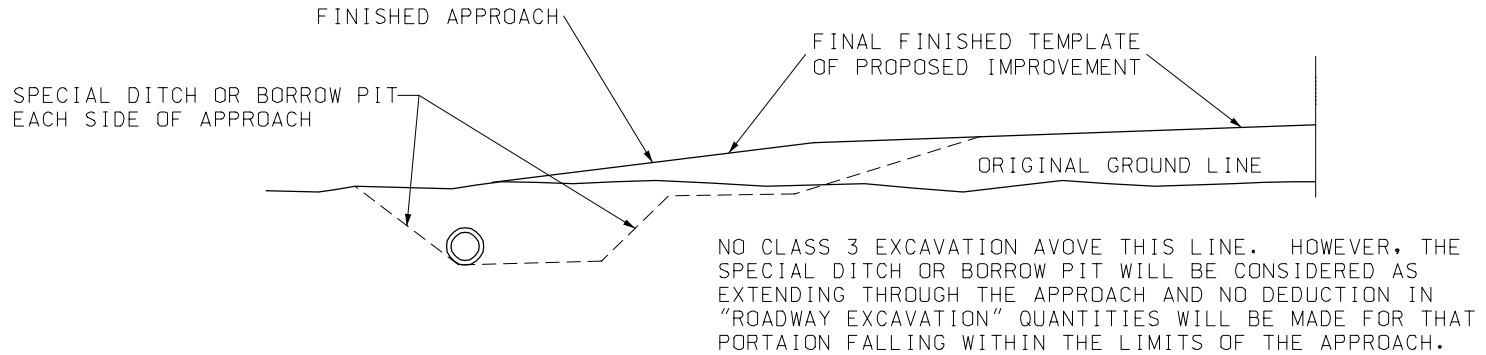
FINAL PAYMENT SHOULD BE MADE FOR ONLY THE MATERIAL ACTUALLY EXCAVATED FROM WITHIN THESE MAXIMUM LIMITS.

SEE STANDARD DRAWING 703.38 FOR CUTTING DETAILS ON BOX CULVERT EXTENSIONS.



STRUCTURES LOCATED WITHIN LATERAL LIMITS OF ROADWAY CUTS AND FILLS

Maximum Limits for Class 3 Excavation



GENERAL NOTES:

HATCHED PORTIONS INDICATE LIMITS OF CLASS 3 EXCAVATION FOR STRUCTURES.

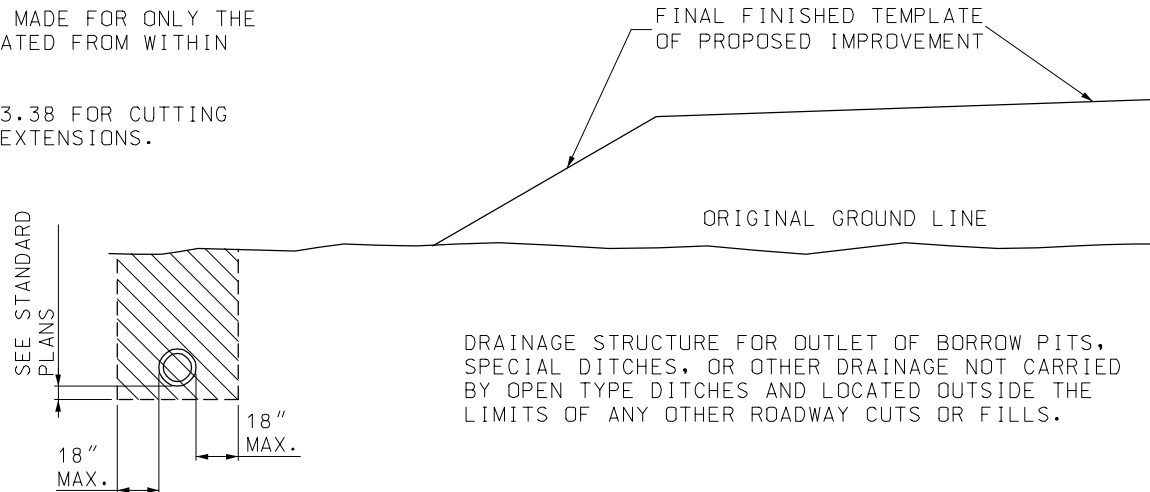
THIS DRAWING IS FOR REFERENCE PURPOSES ONLY AND IS NOT TO BE MADE A PART OF THE DETAIL PLANS.

FOR EXTIMATING PURPOSES USE THE MAXIMUM LIMITS.

FINAL PAYMENT SHOULD BE MADE FOR ONLY THE MATERIAL ACTUALLY EXCAVATED FROM WITHIN THESE MAXIMUM LIMITS.

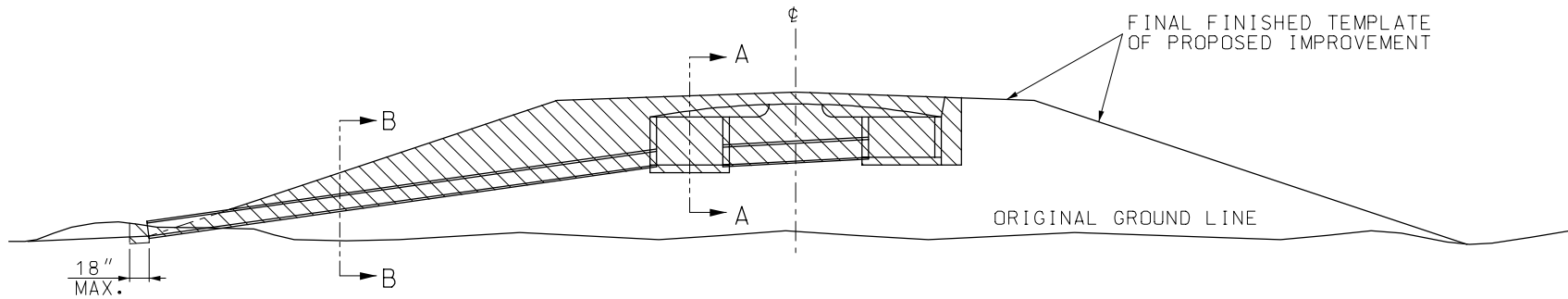
SEE STANDARD DRAWING 703.38 FOR CUTTING DETAILS ON BOX CULVERT EXTENSIONS.

STRUCTURES CONNECTING DITCHES OR BORROW PITS EACH SIDE OF AN APPROACH



STRUCTURES USED IN LIEU OF AN OPEN TYPE DITCH

Maximum Limits for Class 3 Excavation



GENERAL NOTES:

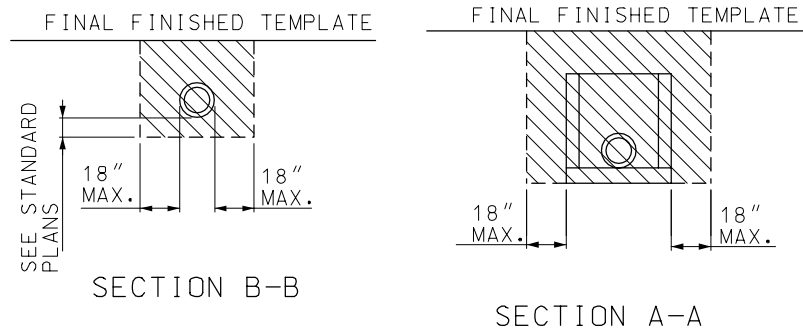
HATCHED PORTIONS INDICATE LIMITS OF CLASS 3 EXCAVATION FOR STRUCTURES.

THIS DRAWING IS FOR REFERENCE PURPOSES ONLY AND IS NOT TO BE MADE A PART OF THE DETAIL PLANS.

FOR ESTIMATING PURPOSES USE THE MAXIMUM LIMITS.

FINAL PAYMENT SHOULD BE MADE FOR ONLY THE MATERIAL ACTUALLY EXCAVATED FROM WITHIN THESE MAXIMUM LIMITS.

SEE STANDARD DRAWING 703.38 FOR CUTTING DETAILS ON BOX CULVERT EXTENSIONS.



WHERE THE STATE ELECTS TO HAVE STRUCTURES PLACED AFTER THE EMBANKMENT HAS BEEN CONSTRUCTED