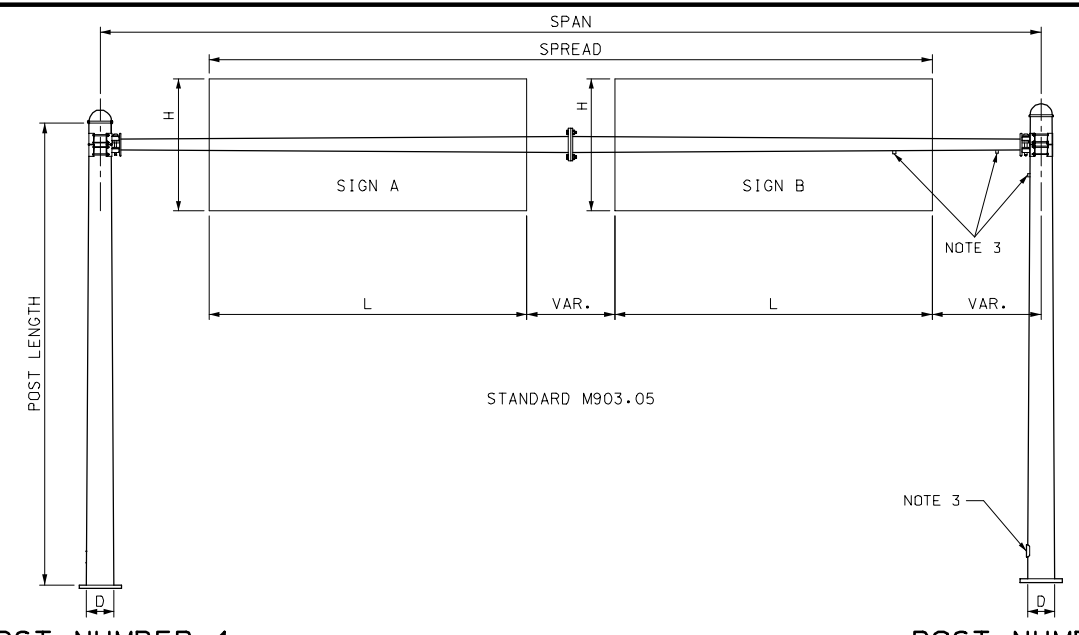


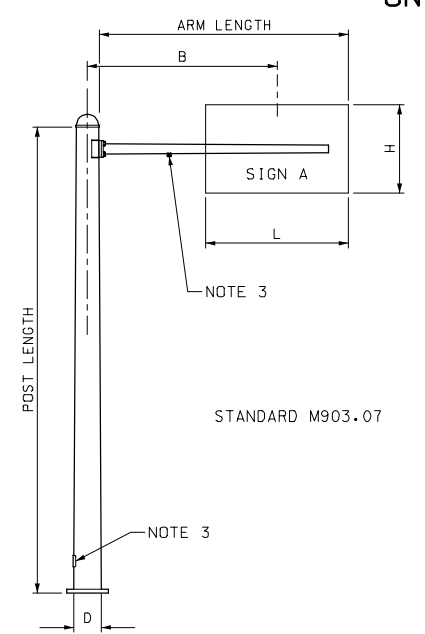
ROUTE	STATE MO	DISTRICT	SHEET NO.
JOB NO.			
CONTRACT ID			
PROJECT NO.			
COUNTY			DATE



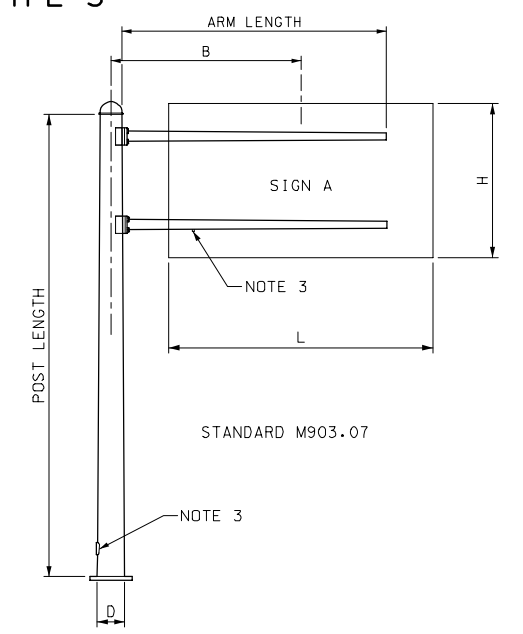
POST NUMBER 1

POST NUMBER 2

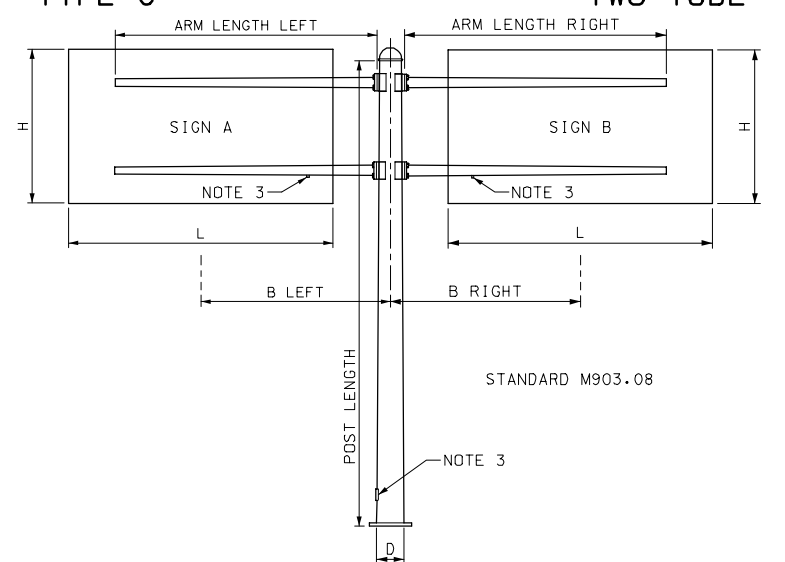
ONE TUBE - TYPE S



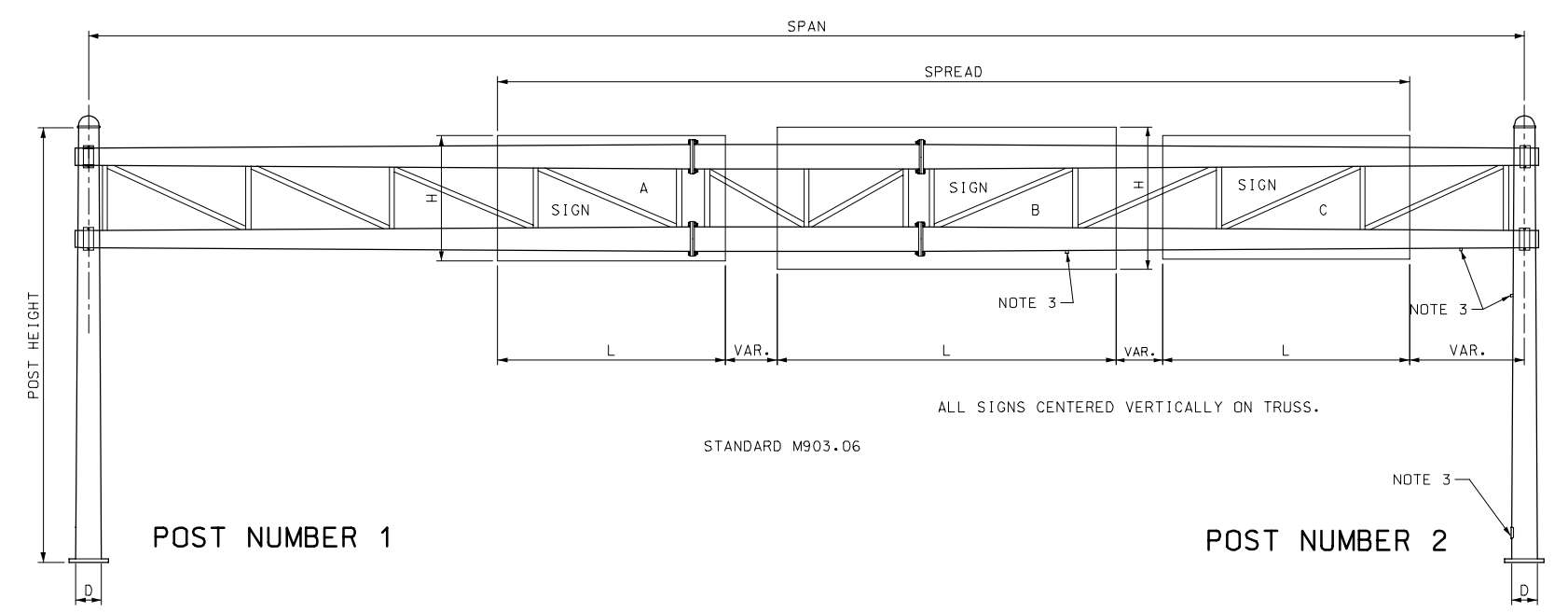
ONE TUBE - TYPE C



TWO TUBE - TYPE C



TWO TUBE - TYPE B



POST NUMBER 1

POST NUMBER 2

TWO TUBE - TYPE S

TUBULAR STEEL SUPPORT NUMBERING SYSTEM

THE FIRST SYMBOL (LETTER) INDICATES TYPE AS, C FOR CANTILEVER, B FOR BUTTERFLY, S FOR SPAN TYPE.

THE SECOND SYMBOL (NUMBER) INDICATES SINGLE (1) OR DOUBLE (2) MAST ARMS OR TRUSS.

THE THIRD SYMBOL (NUMBER) INDICATES GAUGE - POST
 7 = 7 GAUGE (4.5720 mm) 77 = 7 + 7 GAUGE (9.1440 mm)
 3 = 3 GAUGE (6.5768 mm) 33 = 3 + 3 GAUGE (13.1536 mm)
 0 = 0 GAUGE (8.6360 mm) 00 = 0 + 0 GAUGE (17.2720 mm)

THE FOURTH SYMBOL (NUMBER) INDICATES DIAMETER IN INCHES OF THE POST BASE.

THE FIFTH SYMBOL (NUMBER) INDICATES LENGTH IN FEET OF ARM OR SPAN.

EXAMPLE: DESIGN NUMBER B-20018-24 INDICATES BUTTERFLY TYPE, TWO ARMS, 2-PLY, 0-GAUGE, 18" (460 mm) DIAMETER AT BASE OF POST, & 24' (7.3 m) MAST ARMS.

NOTES

1. ALL POSTS, BEAMS, MAST ARMS, ANGLES, BRACKETS & ETC. SHALL BE HOT DIP GALVANIZED AFTER FABRICATION.
2. SHOP DRAWINGS ARE NOT REQUIRED.
3. HANDHOLES AND 32 mm BLIND HALF COUPLINGS REQUIRED ON DESIGNATED POSTS. HANDHOLES SHALL BE PLACED ON RIGHT HAND SHOULDER SIDE OF TRUSSES.
4. STRUCTURES DESIGNED FOR TOTAL SIGN AREA COMMENSURATE WITH HEIGHT OF SIGN AND ACQUIRED VERTICAL CLEARANCE.
5. DESIGN SPECIFICATIONS: AASHTO STANDARD SPECIFICATIONS FOR STRUCTURAL SUPPORTS FOR HIGHWAY SIGNS, LUMINAIRES, AND TRAFFIC SIGNALS - 1985.

TUBULAR STEEL SUPPORT DESIGN DATA																				STANDARDS M903.05 THRU M903.08						
SIGN NUMBER	STATION	LOCATION	STANDARD NUMBER	TYPE	SPAN OR ARM	B LENGTH	POST LENGTH		CONCRETE FOOTINGS	SPREAD	SIGN DATA															
							NO. 1	NO. 2			SIGN A			SIGN B			SIGN C			SIGN D			SIGN E			TOTAL
											L	H	SPACE	L	H	SPACE	L	H	SPACE	L	H	SPACE	L	H	SPACE	