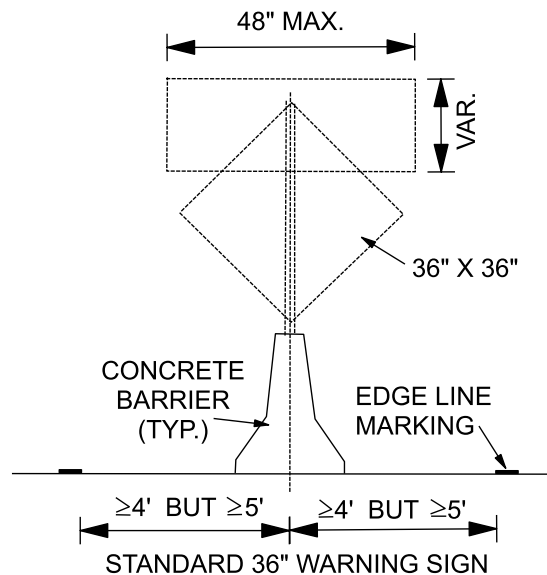
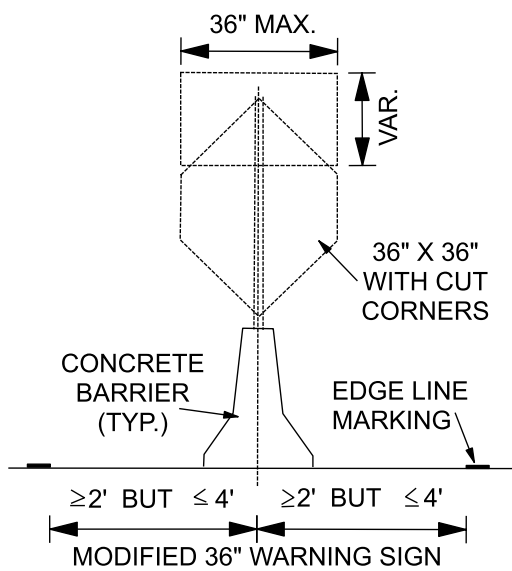
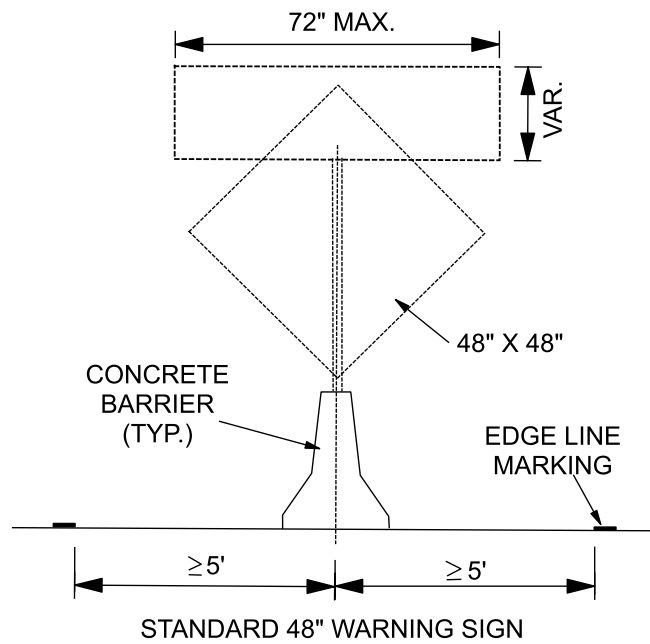


616.8.49 (TA-49) Signs in Narrow Medians - DE/CM & MT



NOTES:

48" X 48" DIAMOND-SHAPED WARNING SIGNS SHALL BE USED WHENEVER POSSIBLE. RECTANGULAR SIGNS SHALL NOT BE USED IN LIEU OF DIAMOND-SHAPED WARNING SIGNS.

WHERE MODIFIED SIGNS ARE USED, THE LAYOUTS OF THE SIGNS SHALL BE SHOWN ON THE PLANS.